



PARAS DEFENCE & SPACE TECHNOLOGIES LIMITED

Corporate & Registered Office :

D-112, TTC Indl. Area, Nerul, Navi Mumbai - 400706, India | Tel : +91-22-6919 9999 | Fax : +91-22-6919 9990
CIN # L29253MH2009PLC193352 | E-mail : business@parasdefence.com | Web : www.parasdefence.com

September 08, 2023

BSE Limited

Phiroze Jeejeebhoy Towers,
Dalal Street,
Fort, Mumbai - 400 001
Scrip Code: 543367

National Stock Exchange of India Limited

Exchange Plaza, Plot C/1, G Block,
Bandra - Kurla Complex,
Bandra - (East), Mumbai - 400 051
Trading Symbol: PARAS

Dear Sir/Madam,

Sub: Regulation 30 of the Securities and Exchange Board of India (Listing Obligations and Disclosure Requirements) Regulation, 2015 – Investors Presentation

In furtherance to our letter dated September 06, 2023 regarding intimation of Analysts/Investor to be held on Monday, September 11, 2023 & Tuesday 12, 2023, enclosed herewith copy of presentation to be made.

The details of the said meeting and presentation are also made available on Company's Website <https://www.parasdefence.com/Investor-Presentation-Meeting/> in section "Investor Presentation & Meeting" under "Investors" Section.

Kindly take the above information on record and acknowledge the receipt.

Thanking You,

For Paras Defence and Space Technologies Limited

HEMAL KUMAR | Digitally signed by HEMAL
HIRAN BHAI | KUMAR HIRAN BHAI
SAGALIA | SAGALIA
Date: 2023.09.08 16:55:41
+05'30'

Hemalkumar Hiranbhai Sagalia
Company Secretary & Compliance Officer

Encl: as above



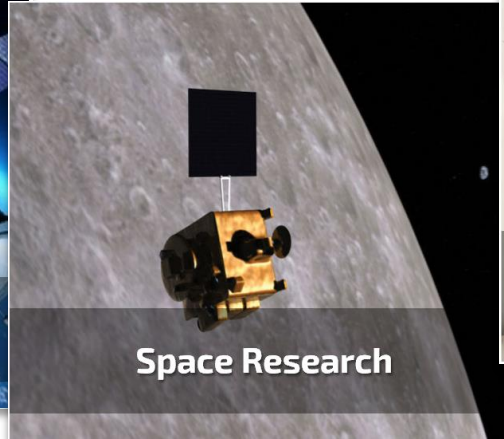
Paras Defence & Space Technologies Limited

Premier Defence and Space Engineering Company

Company At A Glance



Application Areas



Huge Market

2nd

Largest
Armed Force

3rd

Largest
Military Spender

68%

Of Defence Budget for
Capital Acquisition

1.62L Cr.

Of Opportunity in Defence
Sector



Revolutionary Initiatives



Initiatives in Action

4

Positive

Indigenisation Lists

25%

Of Defence R&D for
Domestic Industry

93%

Increase in iDEX Budget
to foster young ideas

74%

FDI through
Automatic Route

SPV

Model being explored
between Govt. & Industry

Leadership Team



Board of Directors



Sharad Shah
Chairman



Munjal Shah
Managing Director



Shilpa Mahajan
Director



M. M. Handa
Independent Director



Suresh Katyal
Independent Director



Dr. Hina Gokhale
Independent Director

Directors

Independent Directors



Anish Mehta
Director: Bus. Dev.



Harsh Bhansali
CFO



Amit Mahajan
Director: Tech. & R&D



Ami Shah
V.P.: HR

KMP Directors

Industry Experts



R. Rajagopal
Sr. Vice President



N. Saravanan
Sr. Vice President



K. Natarajan
Sr. Vice President



Dr. Padmanabham
Sr. Vice President

Electronics & Software Experts



G. S. Ravichandar
Sr. Vice President



D. Ramakantha
General Manager



A. R. Bodhe

Electro-Mechanical Experts

India's Best Optics Team



Krishna Murthy



C. P. Dewan



Dr. R. S. Bisht

Optics Experts (Ex-ISRO)



K. R. Murali



S. Somashaker



Bharat Yelkur
Sr. Vice President

Optics Experts (Ex-ISRO)

Industry Expert

Locations of Paras

01 **Navi Mumbai**

Optics Mfg, Opto-Mech Integration, Electronics D&E, System Integration, Directors & Corporate Departments

02 **Ambernath**

Heavy Engineering Mfg., Mechanical System Integration, Test Facilities

03 **Bengaluru**

Optics Design, Advanced Electronics System Design, Sales & Marketing, Projects & Customer Interface, After Sales Support

04 **Ahmedabad**

Optics Design, Optics Simulations, Opto-Mechanical Assemblies etc.

05 **New Delhi**

Sales & Marketing, Customer Interface, Post Sales Co-ordination

06 **Hyderabad**

Sales & Marketing, Customer Interface, Post Sales Support

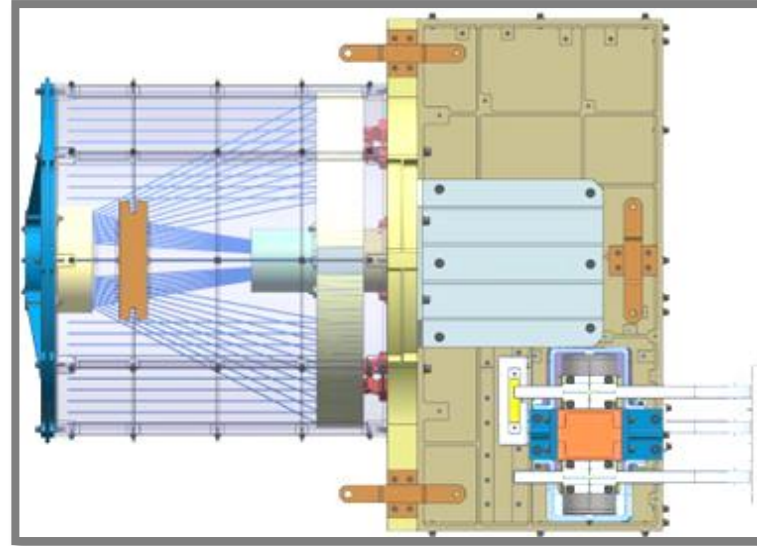
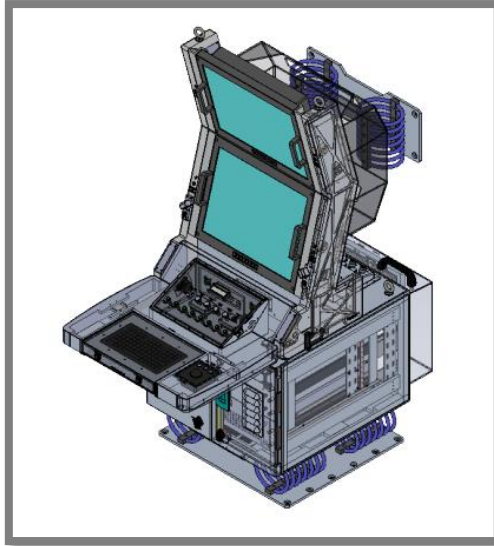


Un-Paralleled Capabilities



www.parasdefence.com | business@parasdefence.com

Exceptional Design & R&D Capabilities



Optronic System Design

Opto-Mechanical Designs

Optical Designs

Electronic System Designs

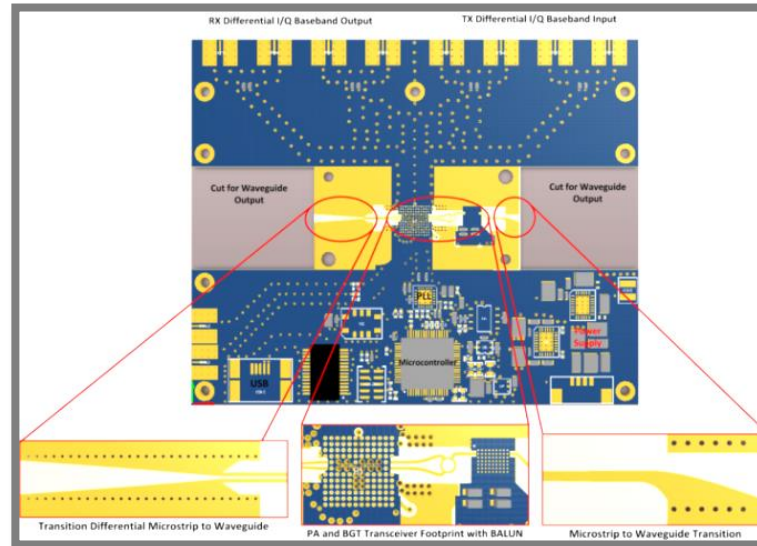
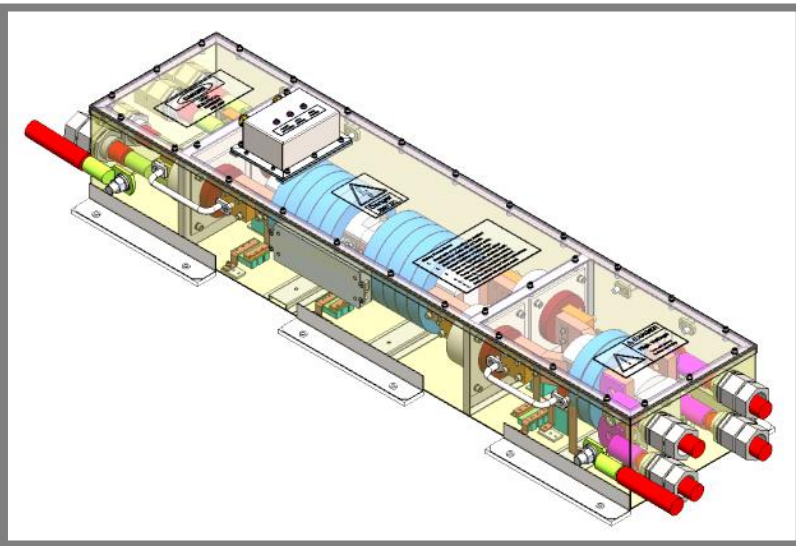
Embedded Electronic Designs

Software Development

ElectroMagnetic Protection Design

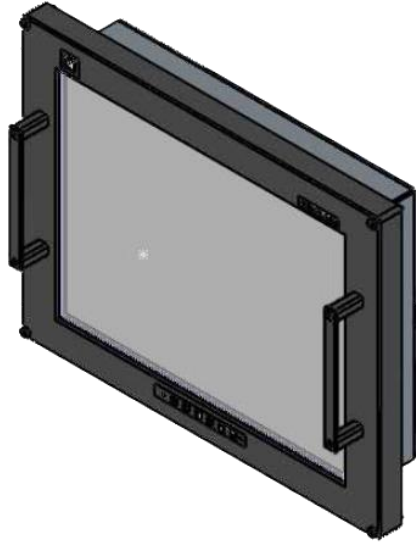
RF, Microwave, Antenna Designs

Mechanical Design & Analysis

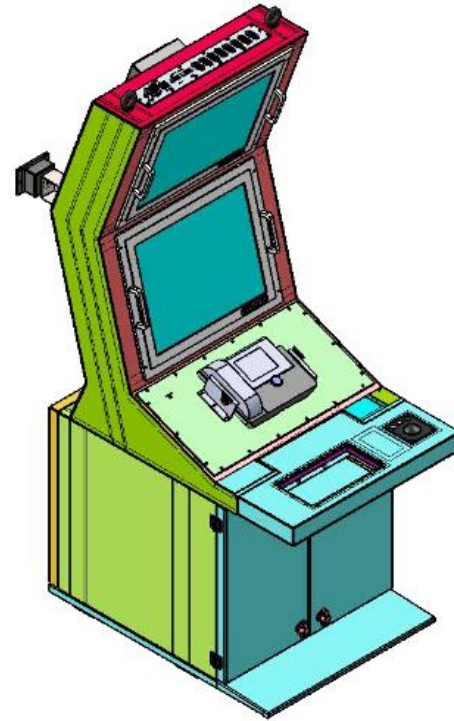




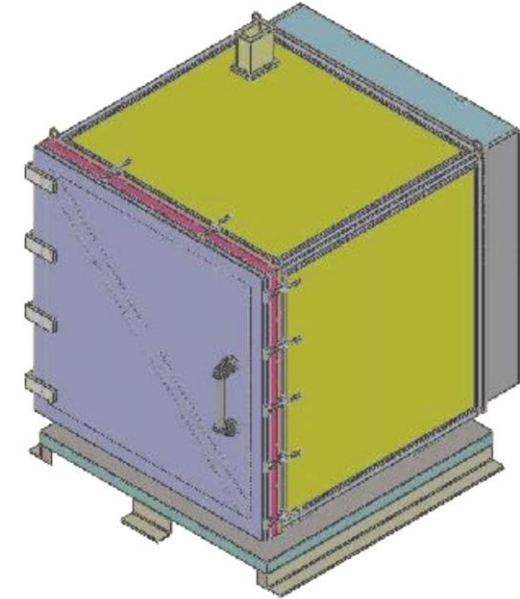
Patents Awarded to Paras Defence



EMP Protected Rugged Display



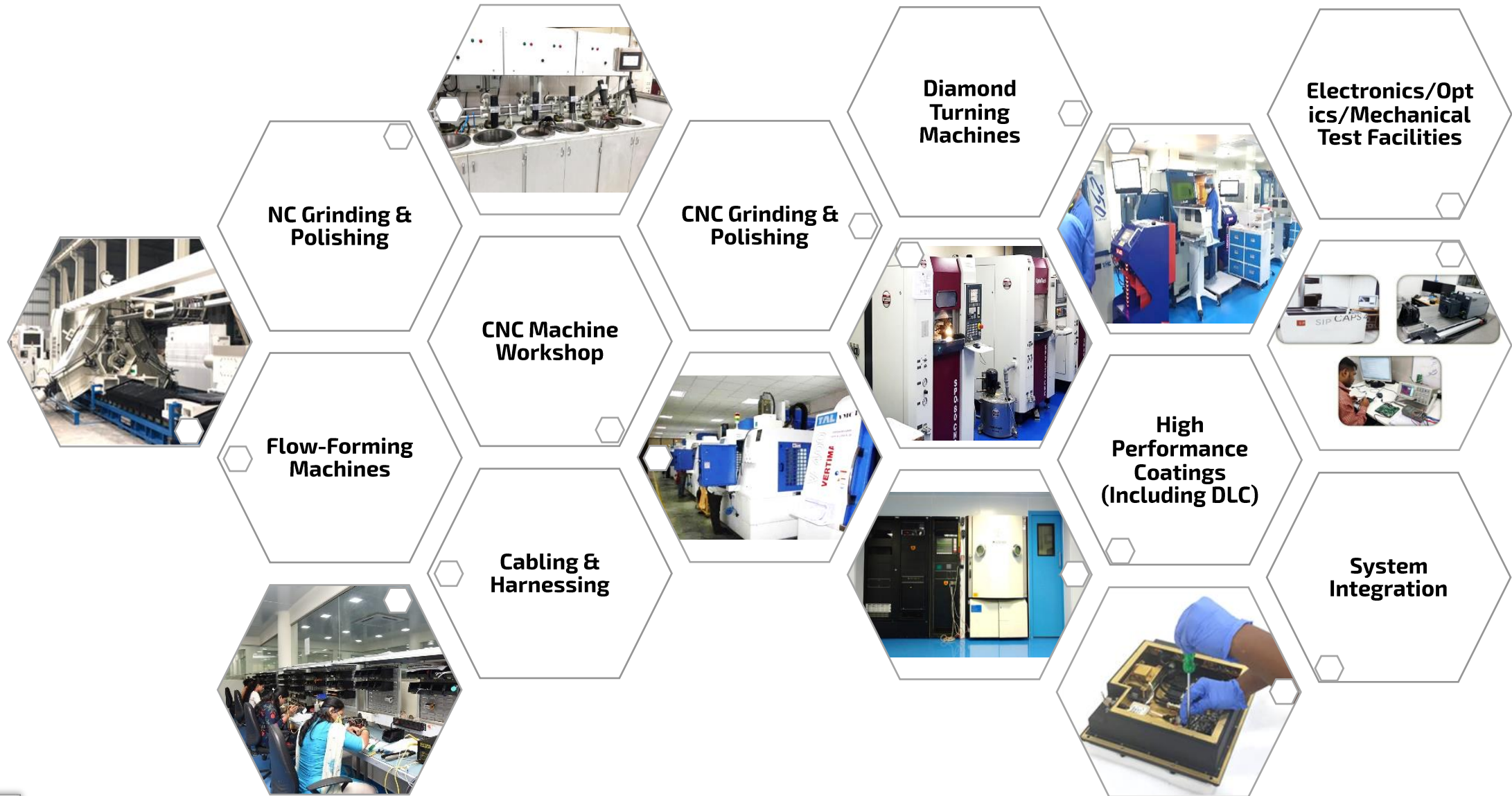
Shock/Vibration Proof Heavy Duty Console



ElectroMagnetic Pulse Protected Rack



State-Of-The-Art Manufacturing Facilities



Certificates & Recognitions



ISO
9001:2015
Certified



AS9100D
Certified by
DQS



ITAR
Cleared



DSIR
Recognized
R&D
Company



CRISIL
Rated: A -



Optics & Optronic Systems Defence Engineering

Optronic Systems,
Optical Assemblies
Optical Components

Defence Electronics,
EMP Protection Solutions
Heavy Engineering

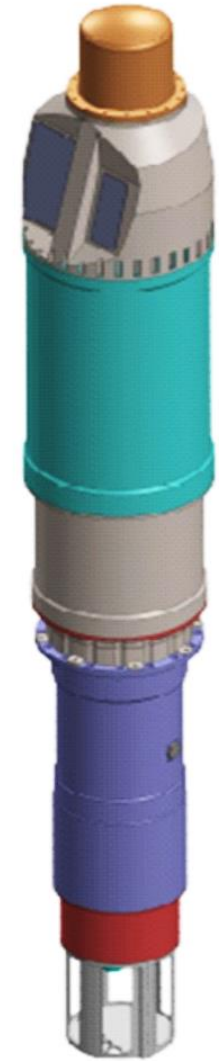
Submarine Optronic Periscope

Only Indian Private
Company in the whole
Asia-Pacific Region to
build a Turnkey Optronic
Periscope for Submarine
Application



Image only for application reference

- *Currently building 4 Nos. (5 more in pipeline)*
- *Projected requirement of 15+ for the next 3 years*
- *Refurbishment of 10+ Nos for old platforms for the next 2 Years*
- *Huge business potential for New Platforms, Refurbished Systems, Repairs and possibilities of Exports*



Hyper Spectral Imaging System

Only Indian Private Company to design, develop and deliver Hyper Spectral Imaging Opto-Mechanical System & Working on full Camera for Defence & Space

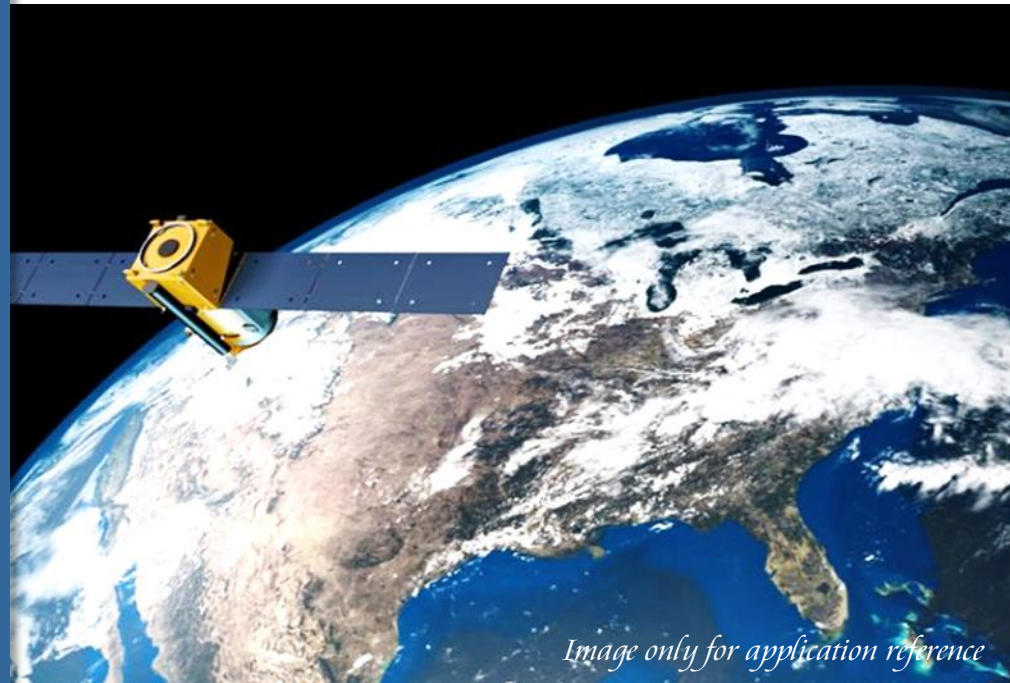


Image only for application reference

- *Only Pvt. Indian Company to develop a Hyperspectral Camera for Space (Mission to be flown before Mar' 24)*
- *Collaborating with 2+ Non-ISRO Missions for their Hyperspectral Payload Development*
- *Suitable for Space Borne Applications*



Hyper Spectral Imaging System

Only Indian Private Company with capabilities to Develop Hyperspectral Imaging System for Non-Space Applications



Image only for application reference

- *Completely in-house designed and developed*
- *Hyperspectral Imaging is the future in imaging systems*
- *Potential requirements would be in excess of 10000+ units, for India alone*
- *Ground Applications such as Defence, Medical, Agricultural, Botanical, Food Safety etc.*

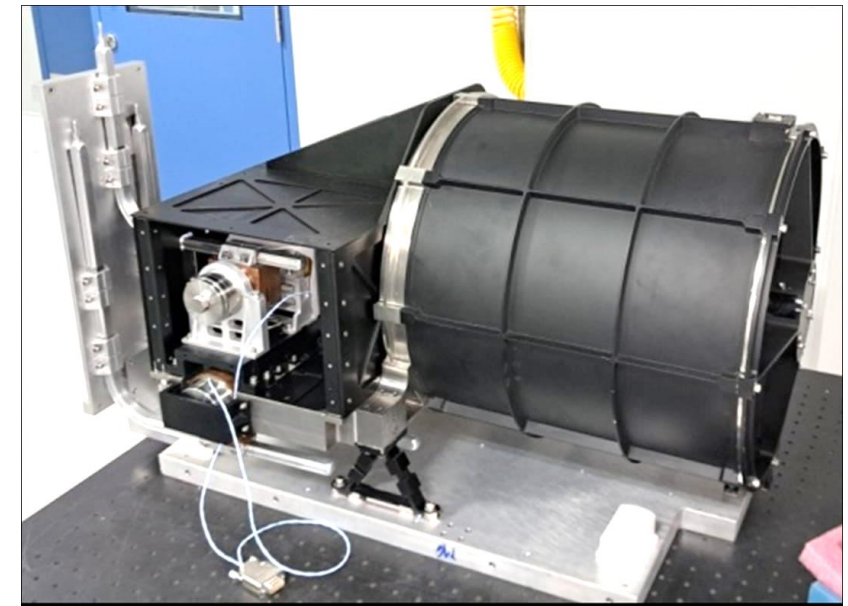
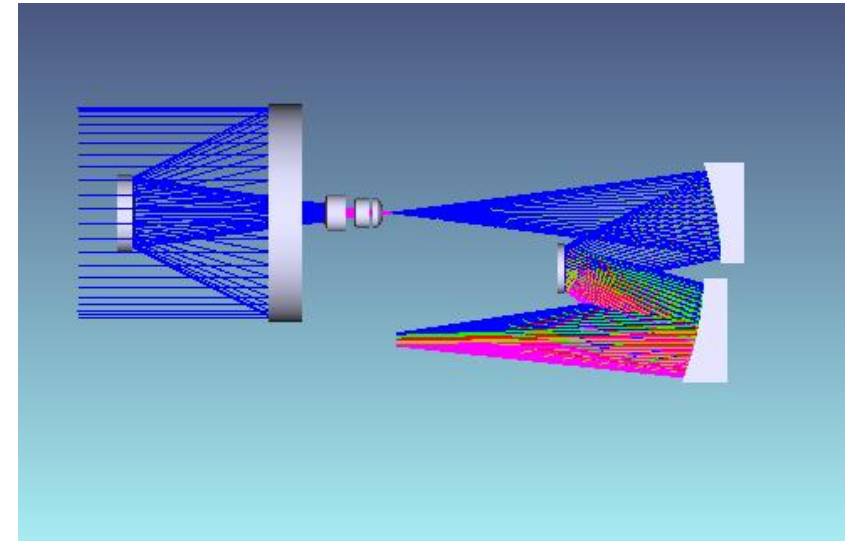


Image only for application reference

Infra-Red Search & Tracking System (IRST)

Paras is collaborating
with its Customers to
develop an advanced
IRST System

- *High in-house manufacturing content, ensuring High Quality and Cost Effective Pricing*
- *Huge Potential for the Avionic Platforms in India and Abroad*
- *Current requirement indication of 300+ Systems*
- *Huge potential for Repair, Refurbishment of existing Systems.*



Red Dot Reflex Sight

India's most advanced point-and-shoot device



Image only for application reference

- *Completely in-house designed and developed*
- *Advanced features like light weight Optics and Automated Zeroing*
- *Huge export requirement especially to the US*
- *Applications such as Defence, Security, Commercial etc.*



Optics & Optronics Systems: Products & Solutions

India's No. 1 Company for Defence & Space Optics

IR LENSES

These are optical components for thermal imaging cameras or night vision devices



LARGE SIZE SPACE MIRRORS

These are large size mirrors used in space telescopes used for various applications



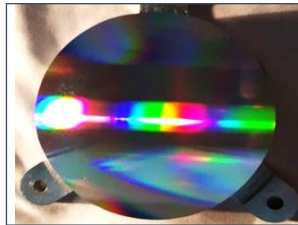
METAL MIRRORS

They are made from Al metals. They offer high reflective surface for long range imaging



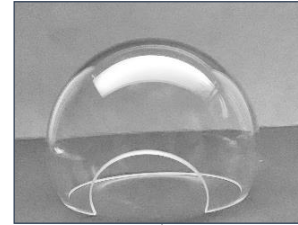
DIFFRACTIVE GRATING

This is an essential optical element in hyper-spectral imagers used in space.



OPTICAL DOMES

These are optical elements used for missiles, which help the missiles to sight its targets efficiently



OPTO MECH. ASSEMBLIES

These are assemblies where precision optics are assembled with precision mechanicals



Optics & Optronic Systems: Products & Solutions for Drones & UAVs



**Multi-Spectral
Cameras**



**EO/IR
Cameras**



**AI
Cameras**



LIDARS



Associate Company: Controp Paras Technologies Pvt. Ltd.

JV with
Controp
Precision
Technologies
Ltd., Israel

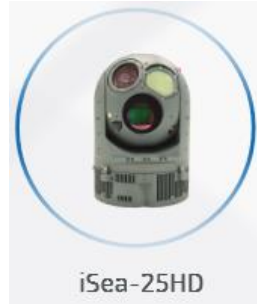
World's leading
exclusive EO/IR
company



Forming a JV with world's leading exclusive EO/IR company to manufacture world class EO/IR Systems in India (Under Make In India), for various platform including Drones.

EO/IR Products by Controp

Will be
manufactured
under Make India
with very high
indigenous content



iSea-25HD



iSea-30HD



iSea-50HD



iSky-50HD



iSky-30HD



SIGHT-10E



SPEED-MR



SPEED-LR



SPEED-ER



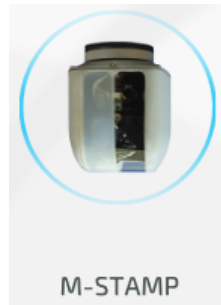
TORNADO-ER



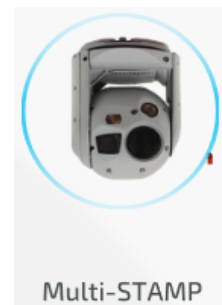
SIGHT-25E



SIGHT-25HD



M-STAMP



Multi-STAMP



T-STAMP-XR



T-STAMP-XED



T-STAMP-XD



SIGHT-50HD

Optics & Optronic Systems Defence Engineering

Optronic Systems,
Optical Assemblies
Optical Components

Defence Electronics,
EMP Protection Solutions
Heavy Engineering

Saras MK-II

Executing Contract for Complete Glass Cockpit/Avionic Suite and Auto Pilot of Saras MK-II Program



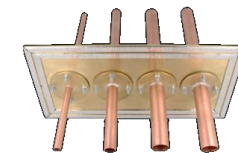
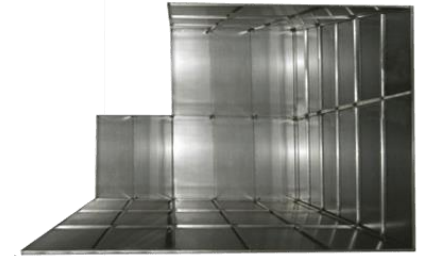
- *Partnered with the best in Business*
- *Huge requirement of 3 + 15 + 115 Nos in the next 5 to 7 Years*
- *Aim to increase indigenous content to suit Make In India*
- *Long Term business potential extending beyond Saras MK-II platform*



Representative image of Avionic Suite/Glass Cockpit

Defence Engineering: Products & Solutions

Image only for application reference



Electro-Magnetic Pulse Protection Solutions

Only Indian Company offering Turnkey Electro-Magnetic Pulse Protection Solutions

- *Completely in-house designed and developed*
- *Only Indian Company, opening huge business potential*
- *EMP is the Future Warfare and hence the protection requirements will exponentially increase year-on-year basis.*
- *Applications such as Defence, Security, Banking, IT, Communications etc.*



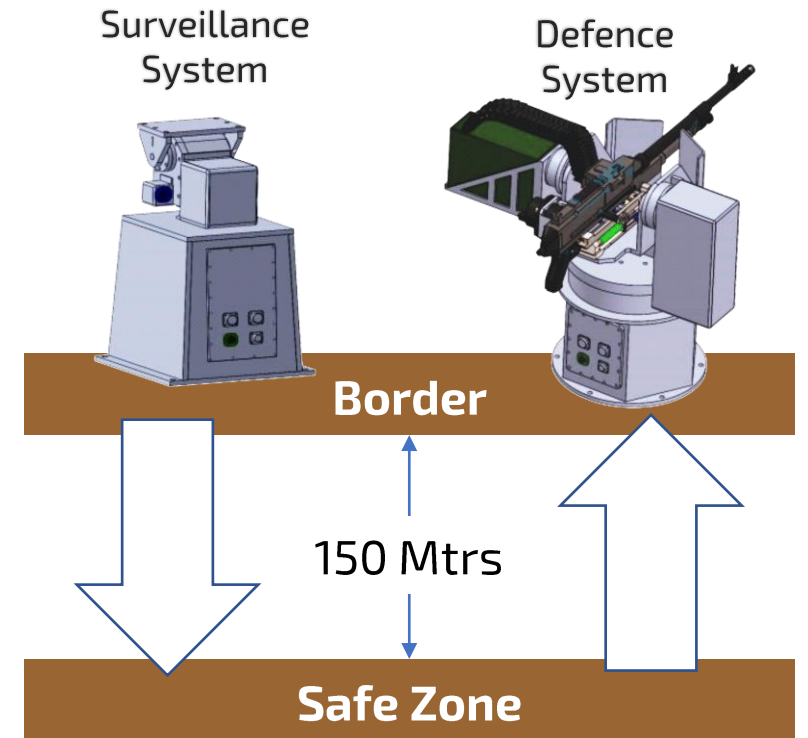
Remotely Controlled Border Defence System

High Precision Surveillance and Defence System for Borders and Critical Installations



Image only for application reference

- *Only Company to have successfully developed a complete functional system.*
- *Projected requirement of 4000+ for the next 5 to 10 years*
- *Export business potential*
- *Suitable for Borders, Strategic Locations & Critical Installations*



Command & Control System



Commanding Officer

Defence Engineering: Products & Solutions (Electronics)

CONTROL SYSTEMS

Mil-Grade Control Systems with Embedded Computing Algorithms



RUGGED COMPUTING SYSTEM

High Performance Embedded Computing Servers for Harsh Environments



RUGGED COTS SYSTEMS

Ruggedised Commercial Systems to meet harsh environmental standards



COMMAND & CONTROL CONSOLES

Turnkey Command & Control Consoles with Design to Installation at Site



RUGGED DISPLAYS

Mil Grade Displays qualified for MIL - 810, 167, 901, 461 & EMP Standards



PROXIMITY SENSORS

These are non-contact electro-mechanical device which gives precise proximity sensing



Defence Engineering: Products & Solutions (Mechanical)

FLOWFORMED TUBES

Seamless Cold Formed Tubes capable of withstanding high pressure suitable for Rocket/Missile



TITANIUM & SPECIAL METAL MFG.

High Precision Manufacturing of Titanium, AL-Bronze, Alloy Steel Etc.



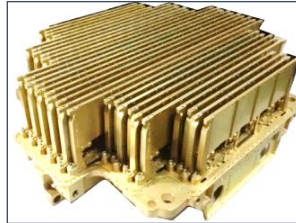
RACKS & CABINETS

Custom Designed Racks & Cabinets for Defence Applications with EMP Protection



COLD PLATES

AL-AL Vacuum Brazed Cold Plates for Active Array Radar Cooling Requirements



LARGE DYNAMIC PLATFORMS

Heavy Structures with Automation & High Movement & Positional Accuracies



FLOWFORMING MACHINES

These are indigenously designed and manufactured flow-forming machines



Defence Engineering: Products & Solutions (EMP)

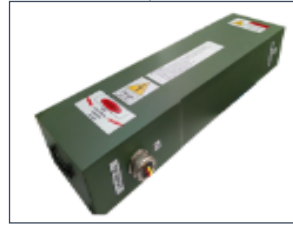
EMP PROTECTED AREAS

EMP Protected Workcenters, Data Centers, Control Rooms, Command Centers etc.



EMP FILTERS

EMP Filters for Power & Data complying to MIL-188-125 & MIL-Std-220C



AIRVENTS & WAVEGUIDES

Waveguides, Airvents, Windows & Penetration Panels to provide Total Protection



EMP RACKS & CABINETS

Compact Cabinets with High Performance EMP Protections with SE of over 100db



SHIELDED DOORS

These are doors which provide Electro-Magnetic Shielding of 100+db



ONSITE INSTALLATION

Comprehensive onsite installation by All Indian Team for strategic locations



Prestigious Customers



www.parasdefence.com | business@parasdefence.com



Wide Customer Base – Govt. Customers



Indian Ordnance Factories



Defence R&D Organisation



Bharat Electronics



ISRO



Goa Shipyard Limited



Mazagon Dock Limited



Hindustan Shipyard Limited



Garden Reach Shipbuilders & Engineers Ltd.



Cochin Shipyard Limited



BrahMos Aerospace Pvt. Ltd.



Bharat Dynamics Ltd.



Department of Atomic Energy



Electronics Corporation of India Ltd.



Society for Applied Microwave Electronics Engineering & Research



National Aerospace Laboratory



National Physical Laboratory of India



Indian Institute of Astrophysics



Hindustan Aeronautics Ltd.

Wide Customer Base – Pvt. Customers



Godrej & Boyce Mfg. Co. Ltd.



Tata Power



Larsen & Toubro



Kirloskar Brothers Ltd.



Tata Consultancy Services



Alpha Design Technologies Pvt. Ltd.



Astra Rafael Comsys Pvt. Ltd.



Solar Industries India Ltd.



Premier Explosives Ltd.



Tonbo Imaging

Wide Customer Base – International



Rafael Advanced Defense Systems Ltd.



Israel Aerospace Industries



Elbit Systems



Controp



Singapore Electronics



Tae Young Optics Co. Ltd.



Chaban Group

Our Main Subsidiaries



Our Subsidiaries

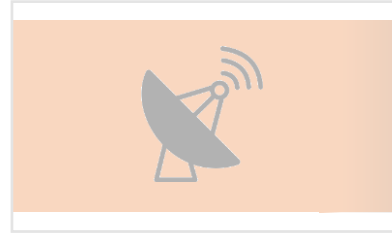


Paras Aerospace

Paras Aerospace is our most promising subsidiary which is involved in Drones, Drone Services and associated technologies. With some exclusive offerings, Paras Aerospace is on it's way to become the most significant company in it's sector.



Paras Defence
holding 60%



Paras Anti-Drone

Paras Anti-Drone Solutions is our subsidiary which is involved in Development of RF & Microwave Systems & Sub-Systems aimed at Counter UAV Solutions and more.



Paras Defence
holding 55%



Opel Technologies

Opel Technologies is a wholly owned subsidiary of Paras Defence involved in providing efficient sourcing from across the world.



Paras Defence
holding 100%

Paras Aerospace

India's widest range of Drone Technologies & Solutions



Drone Manufacturing



- Military/Tactical Drones
- Industrial Drones
- Agriculture Drones
- Next Generation Drones
- Drone Payloads

Drone Management



- Autonomous Surveillance
- Vision Enabled Drone Management
- Drone Safety – Drone Parachutes
- Drone MRO

Drone Services



- Agricultural Services
- Industrial Infrastructure Services
- GIS & Engineering Services
- Training



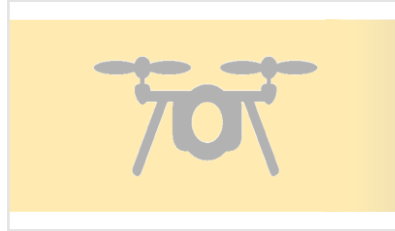
Paras AgriCopter

Features:

- a. Perfect Atomisation with 4-Nozzle Design
- b. Dual Antenna for High Accuracy Directional Information & Anti-Interference Capability
- c. Intelligent Autonomous Flight
- d. DGCA Certified Agri-Drone



Our Subsidiaries



Paras Aerospace

Paras Aerospace is our most promising subsidiary which is involved in Drones, Drone Services and associated technologies. With some exclusive offerings, Paras Aerospace is on it's way to become the most significant company in it's sector.



Paras Anti-Drone

Paras Anti-Drone Solutions is our subsidiary which is involved in Development of RF & Microwave Systems & Sub-Systems aimed at Counter UAV Solutions and more.



Opel Technologies

Opel Technologies is a wholly owned subsidiary of Paras Defence involved in providing efficient sourcing from across the world.



Introduction to CEO of Paras Anti-Drone



Ashutosh Baheti
CEO

Ashutosh Baheti is the CEO of Paras Anti-Drone and is an Entrepreneur, Technologist and Inventor working in areas of Hi-Tech Systems Development and Architecting. He has been a key member in innovation space with focus on RF, Microwave and Electromagnetics systems.

He has worked as Research Scholar at University of Manitoba. He has also worked with IMEP-LAHC, Grenoble, France. He did his Master of Science in Information and Communication Engineering with specialization in RF and Microwave systems from Technical University of Darmstadt.

He has written more than 40 patents in areas of Radar, Communication systems and 5G technologies. He has co-authored several publications and journals in very reputed institutions.

What is an Anti-Drone System?

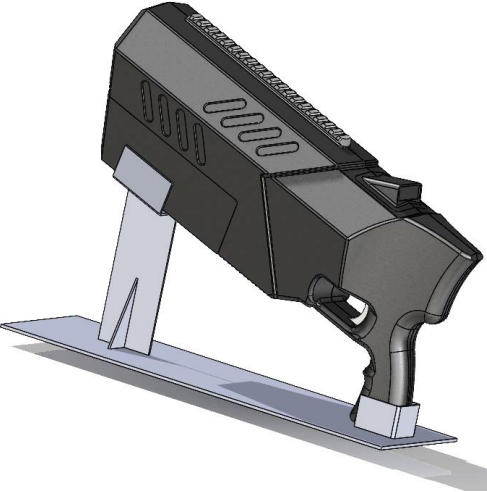
Complete Protection against Hostile/Spurious Drones

Include Technologies to Sense, Detect and Identify Hostile Drones

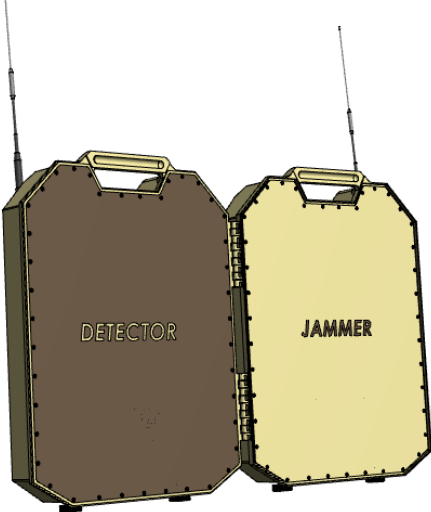
Implement Counter Measures by
Soft Kill: Jamming, Spoofing or
Hard Kill: HP Lasers or DEWs



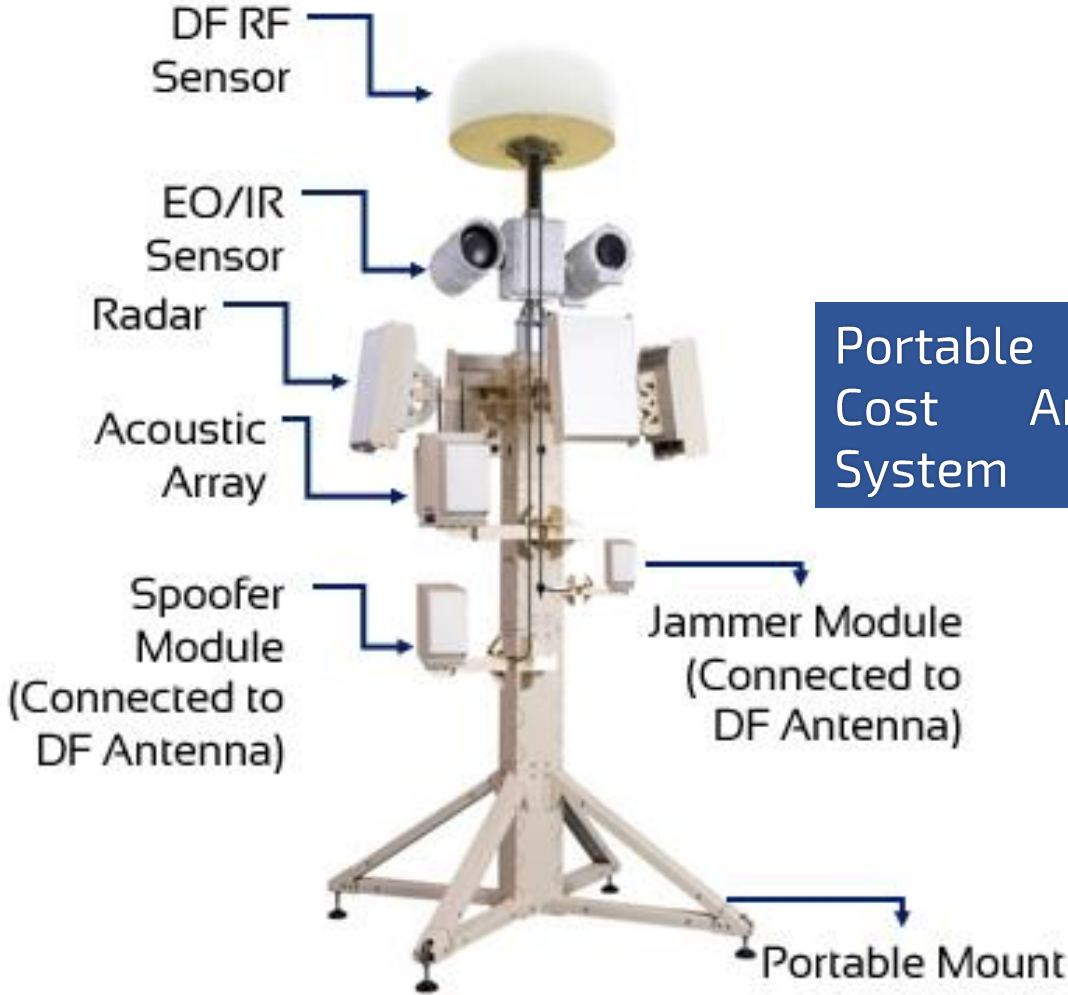
Paras Anti-Drone: 3 Main Products



Drone Jammer Gun



Drone Detection & Jamming System



Portable & Low Cost Anti-Drone System





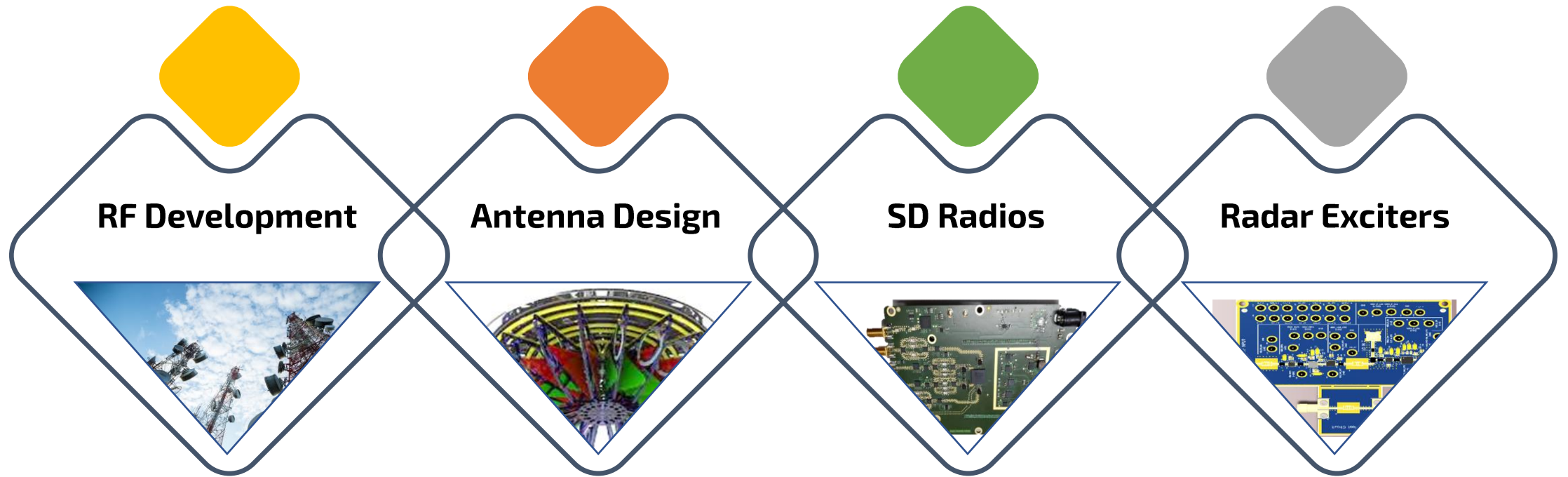
CERBAIR
ANTI-DRONE SOLUTION

Proud Moment for Paras Anti-Drone

Received contract from Europe's leading Anti-Drone Company

Development Contract where Paras Anti-Drone is **developing next generation jammers** with CerbAir

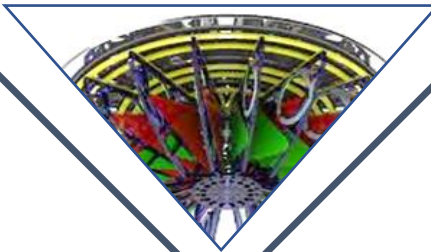
Development Areas of Paras Anti-Drone



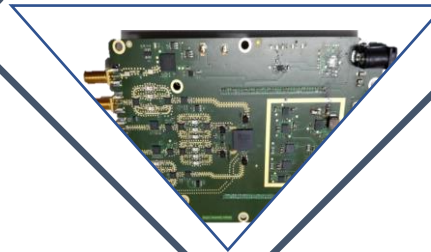
RF Development



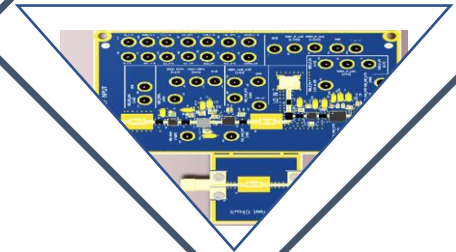
Antenna Design



SD Radios



Radar Exciters



Various Applications of an Anti-Drone Solution



Critical Infrastructure



Border Protection



Mass Events like Sports etc.



VIP Protection



Maritime Protection



Military & Security Protection



Aim of Paras Anti-Drone



Paras Anti-Drone aims at becoming the
No. 1 Anti-Drone Company in India by FY26-27



Opportunities for Paras With High Probability

Space Programs: Non-Defence

Representative Image Only

Space Programs

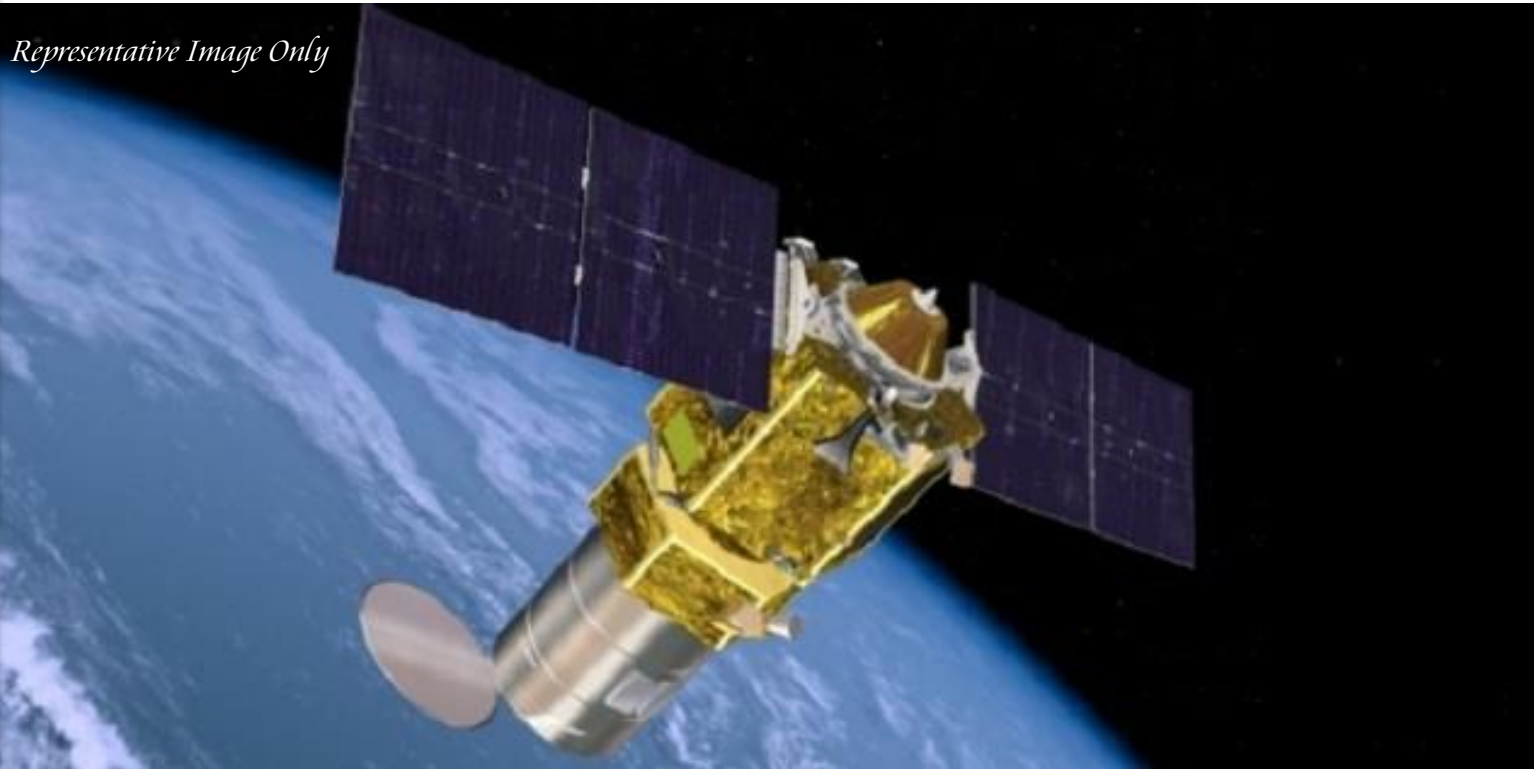
Paras is involved in almost all Space Missions which have Optical Payloads.

- *Huge traction for Space Programs*
- *Large % of Optical Missions*
- *Involved in all Optical Payloads*
- *Paras Working on their own Optical Payload, which will fly in 2024*



Defence Space Programs

Paras is involved in Space Missions which are meant for Defence Applications

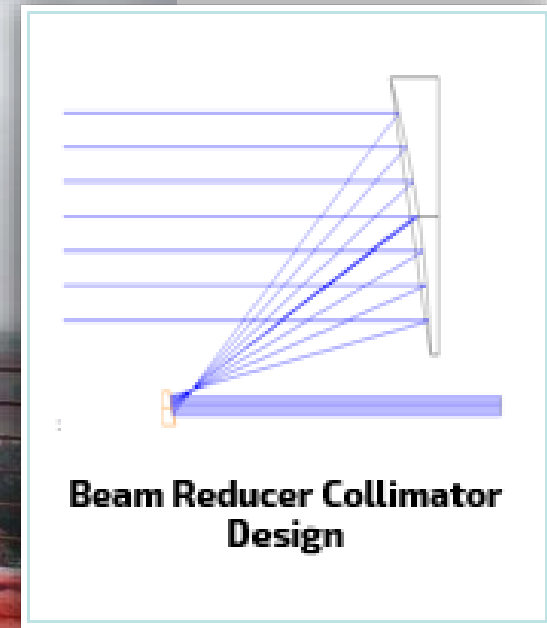


- *Paras is involved in Hyperspectral Imaging Camera for Defence for Space Applications*
- *Strong line up of projects for Space Defence*
- *Applications such a Surveillance etc. will have sizable contribution by Paras*

Laser Systems

Laser Systems

Paras is involved with various Laser Programs.



- *Paras has exclusive Optics Design & Manufacturing Capabilities and have expertise to develop and manufacture critical Optics and Optical Assemblies for Laser Applications*
- *Huge potential across various applications for Domestic as well as Export Consumption.*

Airborne EO/IR Systems

Representative Image Only



Airborne EO/IR Systems

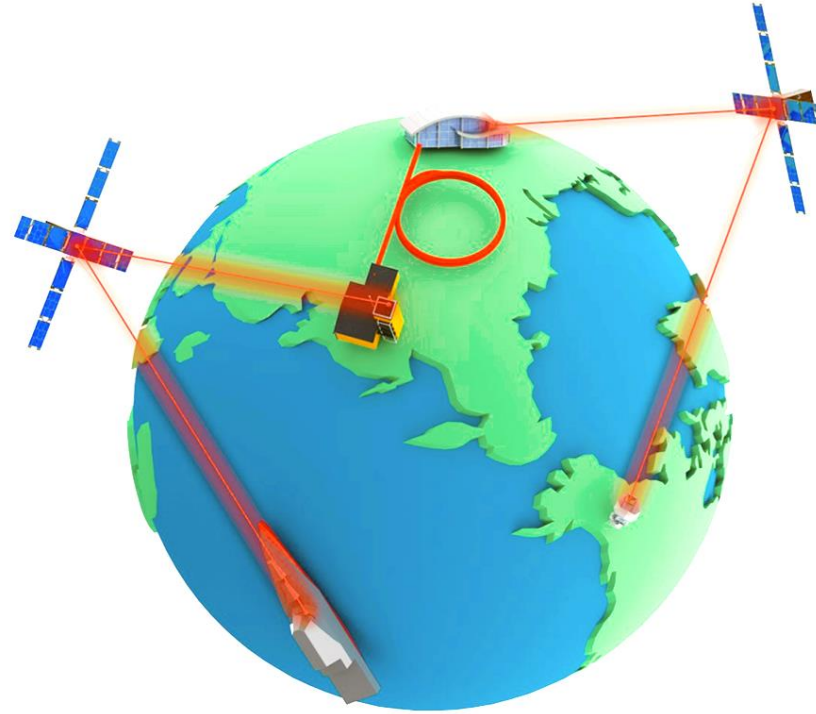
Paras has graduated from Optical Components to Opto-Mechanical Assemblies and now to Optical & Optronic Systems.

- *Paras will be developing high-end EO/IR Systems for Airborne Platforms such as Combat Aircrafts, UAVs etc.*
- *Systems such as Surveillance Systems,IRST & LDP will be manufactured with very high indigenous content.*
- *Huge projected requirement of 500+ Systems of each type.*



Quantum Technologies

Quantum Communication Technologies



With its technology expertise of Optics and Electronics, Paras looks at exploring Quantum Technologies such as Quantum Communication

- *Quantum Communication will have a huge business potential requiring secured and fast communication between two nodes.*
- *Huge Potential with Huge Value add by Paras promises to be a potential big leap for the company.*

Turret Systems

Representative Image Only



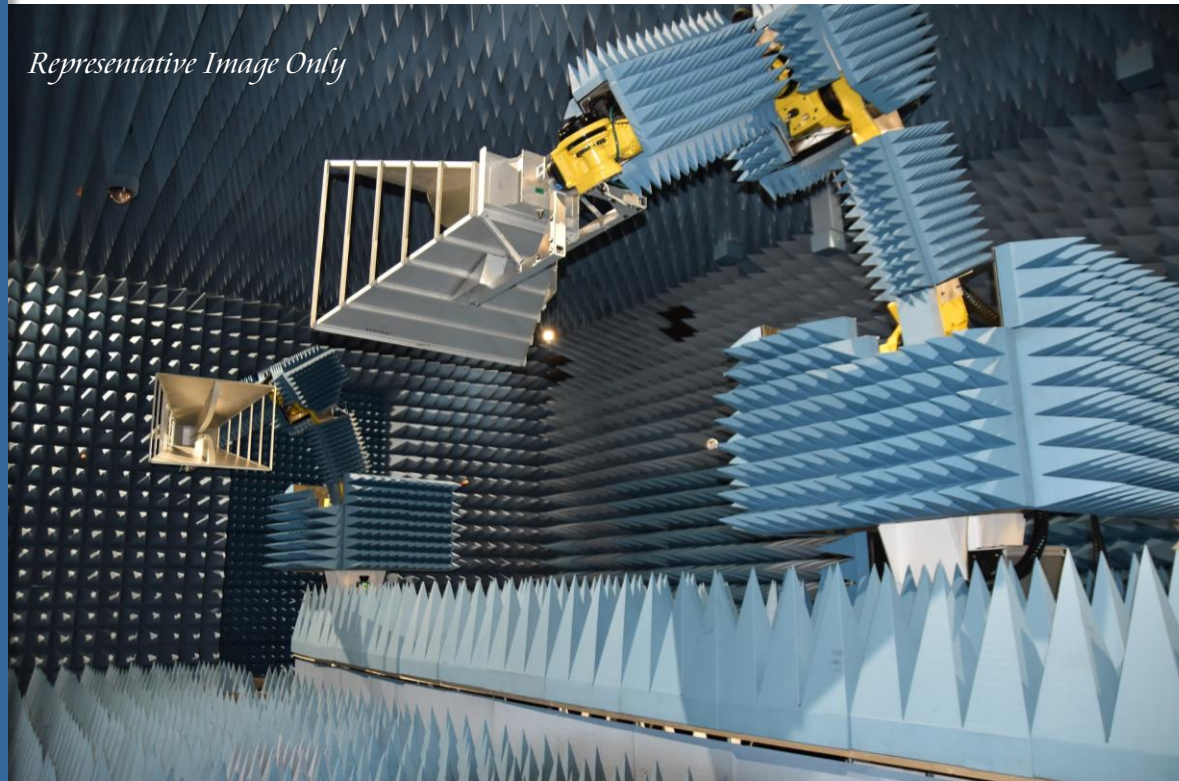
Turret Systems

Paras is collaborating
It's strengths in Rocket
& Missile offering with
team having expertise
of Ammunition
Systems.

- *High performance Turret Systems, Made In India have huge potential, our existing expertise can be utilised for upscaling the systems.*
- *Huge Potential across various platforms such as Attack Helicopters, Combat Aircrafts, Tanks, UAVs etc.*

Antenna Measurement Systems

Representative Image Only



Antenna Test Measurement Systems

Paras is extending its expertise in ElectroMagnetic Protection Solutions by building expertise in the domain of Antenna Measurement Systems in collaboration with their partners

- *Technologically Intensive Antenna Test Measurement Systems are an extension of expertise in ElectroMagnetic Solutions.*
- *Very High Value Programs with good yearly requirements for domestic as well as export markets.*
- *Partnered with the Best in the World*



Next Generation Agri-Drone

Representative Image Only



Next Generation Agri-Drones

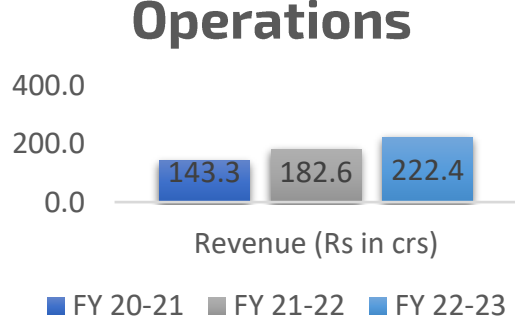
Paras is building next generation Agri-Drone with the most cost effective yet high performance platform.

- *High Performance, Cost Effective Agri-Drone will revolutionise the Agricultural Application for Drones*
- *Precision Positioning and Anti-Collision Capabilities ensure durable asset performance.*
- *Huge Potential of over 1,00,000 Agri-Drones*

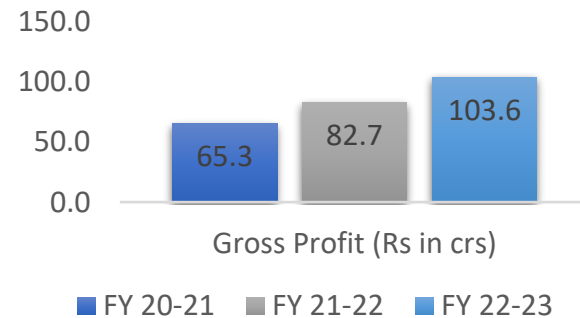
Financial Summary

Consolidated Yearly Financial Performance

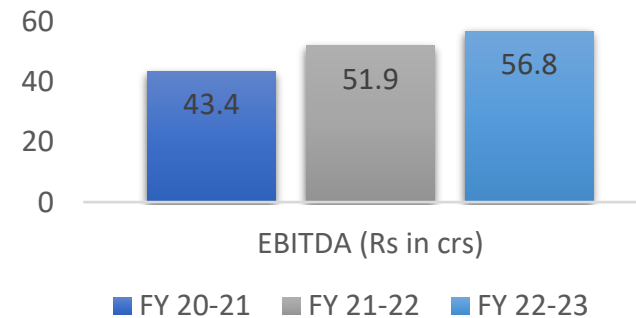
Revenue from Operations



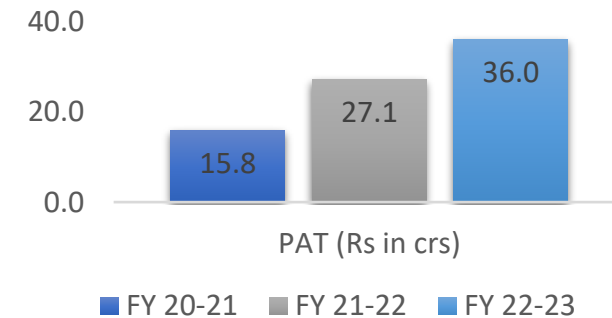
Gross Profit



EBITDA



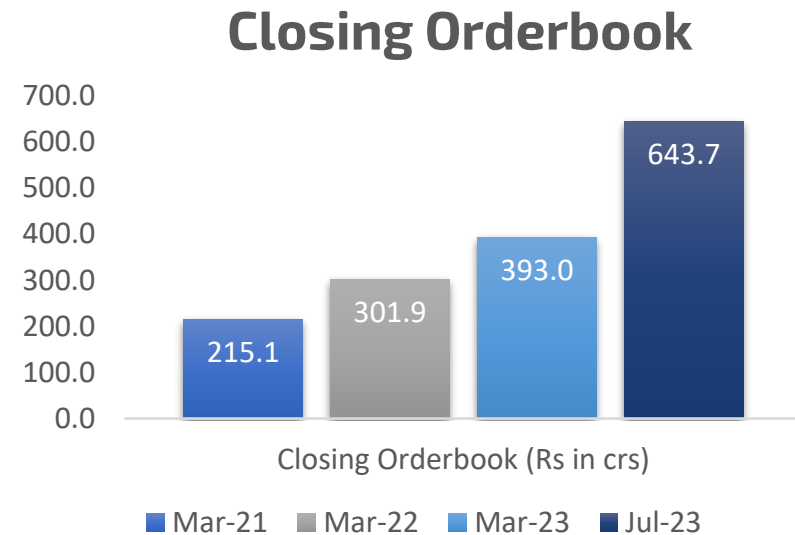
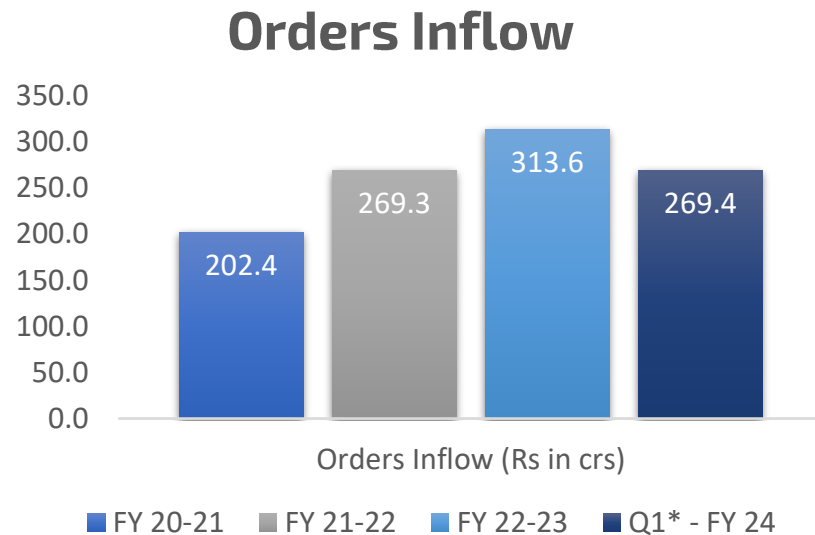
Profit after Tax



Guidance for FY24 & FY25:

We aim to grow our revenues by 30-40% and maintain or slightly better our profitability as compared to previous years.

Consolidated Order Book Analysis



Vision



Social Vision

Empowered by Women

Paras has a very high percentage of Women team members and hence rather than Women Empowerment, we are empowered by Women

Make A Difference

Paras Defence would like to positively make a difference to the social environment by offering employment.



Nuturing for Bright Future

Paras offers opportunities to young talent and is always ready to give the 'Best in the Industry' career exposure to such young talent, which is the Bright Future of our Country.

Make a Better Place

Paras Defence credits it's success to it's team and will strive to ensure conducive environment all it's team members and social stake holders.



Business Vision

The logo features the word "Visión" in a black, handwritten-style font, centered within a circular orange brushstroke. This is set against a light gray circular background, which is itself inside a larger blue circular graphic on the left side of the slide.

Visión

BECOME GLOBAL LEADERS IN OPTICS & OPTO-MECHANICAL SYSTEMS IN THE NEXT 3 YEARS

BECOME GLOBALLY SIGNIFICANT EMP PROTECTION SOLUTIONS PROVIDER

BECOME ONE OF THE TOP 5 DRONE COMPANIES OF INDIA

BECOME NO. 1 ANTI-DRONE COMPANY OF INDIA



Thank You

www.parasdefence.com | business@parasdefence.com

